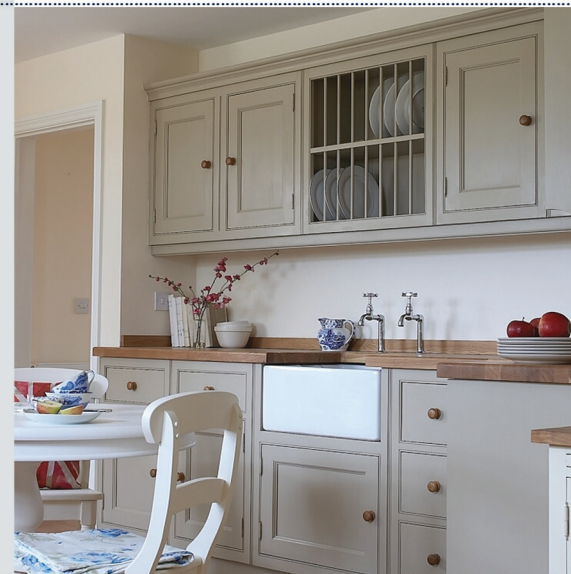


Kitchen  
catalogue



COUNTRY COLLECTION

## CONTENTS

INTRODUCTION 1

### FITTED UNITS

● BASE UNITS 2

● WALL UNITS 6

● TALL UNITS 8

● OTHER ELEMENTS 9

FREE STANDING FURNITURE 10

KITCHEN TABLES 12

CHAIRS 13

FINISHES 16





## STYLE

The design of the kitchen units in this catalogue is intended to fit a large variety of spaces. Our models – available in different widths, either left or right hinged – offer a great flexibility in creating the desired kitchen configuration.

The construction of the models use the traditional cabinet making techniques such as mortise and tenon joints, dovetailed drawers and tongue and groove back boards. Current day requirements for ease end-use are addressed by using top-grade hardware: fully extending and adjustable runners for the drawers and a soft close magnetized catch system integrated in the doors. The models are made of a combination of solid wood and MDF (for sides and bases).

We propose two styles for creating a personalized kitchen:

### ● TRADITIONAL



Our traditional range of units has crafted moldings on its doors and panels, highlighting elegant and classical look.

All these units have the figures code starting with 5 (e.g. VL 5203)

### ● SHAKER



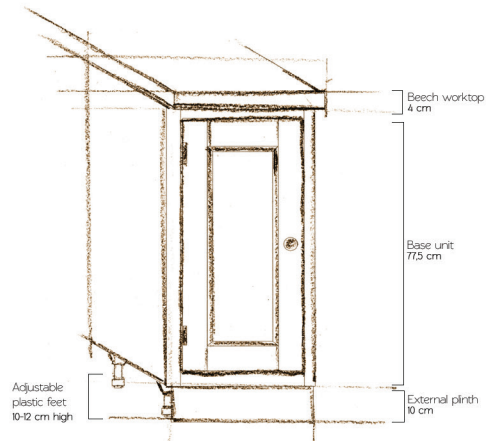
Our shaker range of units has straight edged doors and panels highlighting a more contemporary, clean look.

All these units have the figures code starting with 4 (e.g. VL 4203)

# FITTED UNITS

## Base units

- All base units have the same height – 77,5 cm – and the same depth – 58 cm;
- Adjustable plastic feet are included for all base units;
- The drawers are equipped with full extension metal slides and soft close. Doors have a soft close magnetized catch system;
- All base units have a service gap of 8 cm at the back for pipes and cables.



● TRADITIONAL ● SHAKER

### Single base unit



- VL-5087 L/R  
W 30 D 58 H 77,5
- VL-5055 L/R  
W 40 D 58 H 77,5
- VL-5204  
W 45 D 58 H 77,5
- VL-5021 L/R  
W 50 D 58 H 77,5
- VL-5043 L/R  
W 60 D 58 H 77,5

- VL-4087 L/R  
W 30 D 58 H 77,5
- VL-4055 L/R  
W 40 D 58 H 77,5
- VL-4204  
W 45 D 58 H 77,5
- VL-4021 L/R  
W 50 D 58 H 77,5
- VL-4043 L/R  
W 60 D 58 H 77,5

### 2 doors base unit



- VL-5203  
W 100 D 58 H 77,5

- VL-4203  
W 100 D 58 H 77,5

### Curved base unit



- VL-5221  
W 40 D 58 H 77,5

- VL-4221  
W 40 D 58 H 77,5

Double sink unit



- VL-5084  
W 90 D 58 H 77,5
- VL-4084  
W 90 D 58 H 77,5



Double ceramic sink with drainer  
SINK DB  
W 80 D 49 H 19\*

\* BOWL DEPTH | dimensions may vary +/- 2% |



Single sink unit



- VL-5024 L/R  
W 68 D 58 H 77,5
- VL-4024 L/R  
W 68 D 58 H 77,5



Single ceramic sink with drainer  
SINK SG  
W 59,5 D 45,5 H 21,5\*

\* BOWL DEPTH | dimensions may vary +/- 2% |



Single oven base unit

- VL-5201  
W 70 D 58 H 77,5

# FITTED UNITS

## Base units

● TRADITIONAL ● SHAKER

### Wine rack base unit



VL-5091  
W 30 D 58 H 77,5

### Open base unit



VL-5092  
W 30 D 58 H 77,5

VL-5093 / VL-4093  
W 20,3 D 2,3 H 68



### Blind corner base unit



● VL-5025 L/R  
W 90 D 58 H 77,5

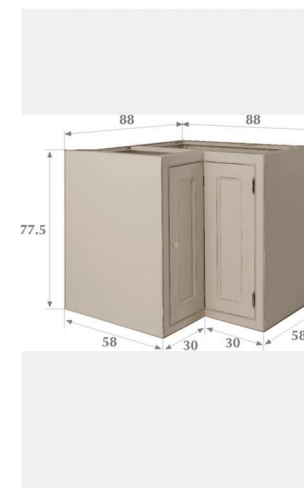
● VL-4025 L/R  
W 90 D 58 H 77,5

### L shaped corner base unit



● VL-5085  
W 88 D 88 H 77,5

● VL-4085  
W 88 D 88 H 77,5



Drawer line base unit



- VL-5041 L/R W 50 D 58 H 77,5
- VL-5026 L/R W 60 D 58 H 77,5



- VL-4041 L/R W 50 D 58 H 77,5
- VL-4026 L/R W 60 D 58 H 77,5

Under drawer metal runners



Cutlery support  
BOX VL-5223  
W 66,7 D 41,7 H 6,5

4 drawers base unit



- VL-5099  
W 40 D 58 H 77,5
- VL-5053  
W 50 D 58 H 77,5
- VL-5054  
W 60 D 58 H 77,5

3 drawers base unit



- VL-5022  
W 30 D 58 H 77,5
- VL-5039  
W 40 D 58 H 77,5

Pot and cutlery drawer unit



- VL-5223  
W 80 D 58 H 77,5

Pot drawers unit



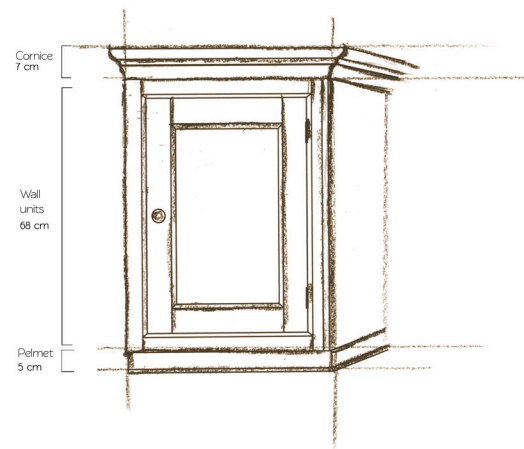
- VL-5071  
W 80 D 58 H 77,5



# FITTED UNITS

## Wall units

- All wall units have the same height - 69 cm - and the same depth - 30 cm;
- The doors have a soft close magnetized catch system installed;
- All wall units have a service gap of 2 cm at the back.



- TRADITIONAL
- SHAKER



### Single wall unit



- VL-5057 L/R  
W 30 D 30 H 69
- VL-5040 L/R  
W 40 D 30 H 69
- VL-5028 L/R  
W 50 D 30 H 69
- VL-5045 L/R  
W 60 D 30 H 69
- VL-5207 L/R  
W 45 D 30 H 69



- VL-4057 L/R  
W 30 D 30 H 69
- VL-4040 L/R  
W 40 D 30 H 69
- VL-4028 L/R  
W 50 D 30 H 69
- VL-4045 L/R  
W 60 D 30 H 69
- VL-4207 L/R  
W 45 D 30 H 69

### Double wall units

- VL-5032  
W 80 D 30 H 69
- VL-5074  
W 100 D 30 H 69
- VL-4032  
W 80 D 30 H 69
- VL-4074  
W 100 D 30 H 69



### 2 doors glazed wall unit

- VL-5034  
W 100 D 30 H 69
- VL-4034  
W 100 D 30 H 69



### One door glazed wall unit

- VL-5212 L/R  
W 50 D 30 H 69
- VL-5211 L/R  
W 60 D 30 H 69
- VL-5208 L/R  
W 45 D 30 H 69
- VL-4212 L/R  
W 50 D 30 H 69
- VL-4211 L/R  
W 60 D 30 H 69
- VL-4208 L/R  
W 45 D 30 H 69







Cooker surround units

- VL-5227 2 UNITS: W 31 D 38 H 80
- VL-4227 1 UNIT: W 170 D 18 H 30

Bridging top box, lift up door

- VL-5228 W 92 D 50 H 30
- VL-4228 W 92 D 50 H 30



Platerack wall unit



- VL-5089 W 68 D 30 H 69



Open wall unit

- VL-5029 W 30 D 30 H 69



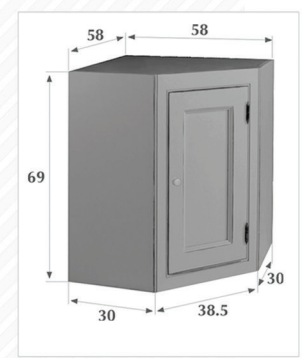
Blind glazed corner wall unit

- VL-5033 L/R W 80 D 30 H 69
- VL-4033 L/R W 80 D 30 H 69

Blind corner wall unit



- VL-5072 L/R W 80 D 30 H 69
- VL-4072 L/R W 80 D 30 H 69



Angled corner wall unit

- VL-5086 W 80 D 60 H 69
- VL-4086 W 80 D 60 H 69

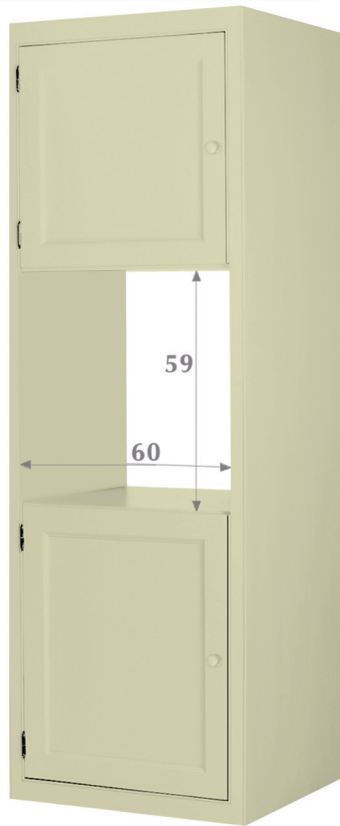
# FITTED UNITS

## Tall units

- These full height cabinets integrate perfectly with the standard base and wall units for a stylish kitchen.

● TRADITIONAL ● SHAKER

Oven housing unit



● VL-5094 L/R  
W 68 D 60 H 197

● VL-4094 L/R  
W 68 D 60 H 197

(model with open back)

Double oven housing unit



● VL-5095 L/R  
W 68 D 60 H 197

● VL-4095 L/R  
W 68 D 60 H 197

(model with open back)

Fridge freezer housing unit



● VL-5051 L/R  
W 68 D 60 H 197

● VL-4051 L/R  
W 68 D 60 H 197

(model with open back)

Larder units



● VL-5090 L/R  
W 68 D 60 H 197

● VL-4090 L/R  
W 68 D 60 H 197



(interior view)

● VL-5218 L/R  
● VL-4218 L/R  
W 38 D 60 H 197



(interior view)

● VL-5219 L/R  
● VL-4219 L/R  
W 68 D 60 H 197

# FITTED UNITS

## Other elements

- Plinths, cornice and pelmets, as well as end panels and plant on doors complete the kitchen look.
- After positioning all the units on the kitchen configuration plan, remember to calculate the length of the external plinth, pelmet and cornice, as well as the worktop's surface to cover the base units.

*Country* COLLECTION



Cornice

- VL-5052  
W 150 D 6 H 7
- VL-5081  
W 200 D 6 H 7
- VL-5049  
W 300 D 6 H 7



Pelmet

- VL-5017  
W 320 D 2 H 5



Plant on door

- VL-5096  
W 60 D 2,3 H 77,5
- VL-4096  
W 60 D 2,3 H 77,5



External plinth

- VL-5048  
W 200 D 3 H 11
- VL-5050  
W 300 D 3 H 11



Drawn-in plinth

- VL-5018  
W 320 D 2 H 10



Plant on door

- VL-5035  
W 60 D 2 H 77,5
- VL-5047  
W 60 D 2 H 45
- VL-4035  
W 60 D 2 H 77,5
- VL-4047  
W 60 D 2 H 45

Kitchen tops



BEECH:  
VL-5019  
W 245 D 61 H 4

OAK:  
VLO-5019  
W 245 D 61 H 4

VL-5020  
W 300 D 61 H 4

VLO-5020  
W 300 D 61 H 4

Wall end panel



- VL-5077  
W 30 D 2 H 97

Base end panel



- VL-5076  
W 60 D 4,7 H 90



Square post

- VL-5231  
W 9 D 9 H 90



Turned post

- VL-5232  
W 9 D 9 H 90

# FREE STANDING FURNITURE

Build your own island or peninsula with base units.  
Please see below some examples.



NC-9001  
W 152 D 76 H 92



TL 1192  
W 70 D 26 H 101



TL 1211  
W 70 D 26 H 16



TL 1212  
W 120 D 26 H 16



TL 1191  
W 100 D 25 H 43



BL 3196  
W 120 D 76 H 92



BL 3179  
W 35 D 34 H 45



BL 3178  
W 40 D 38 H 38



VL 5233  
W 120 D 57 H 220



VL 5103G  
W 81 D 43 H 210

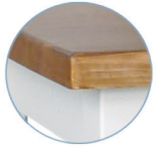


VL 5080  
W 120 x D 57 x H 220

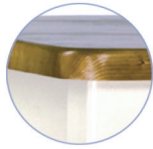
# KITCHEN TABLES

Flexi Collection

## 1 SELECT TOP



Basic line radius



Traditional line radius

● pine  
code BP or TP

● beech  
code BB or TB

● oak  
code BO or TO

Top thickness: 3 cm

## 2 CHOOSE LEGS



P1

P2

P3

P4

P5

P6

P8

## 3 ADD COLOUR



More colours are available. Please ask for details.



## TABLE SIZES

W80 D80 H78  
 W120 D80 H78  
 W140 D80 H78  
 W160 D90 H78  
 W180 D100 H78  
 W210 D100 H78



## HOW TO ORDER

TOP  
**BP** - **80x80x3**

LEG  
**P1** - **M150L** - **S549N**

## CHAIRS

*Country* COLLECTION



TL 1190  
 W 47 D 49 H 87  
 seat height 46 cm



TL 1190U  
 W 47 D 49 H 87  
 seat height 48 cm



TL 1141  
 W 47 D 41 H 98  
 seat height 47 cm



TL 1141U  
 W 47 D 41 H 98  
 seat height 49 cm



BL 3213  
 W 45 D 52 H 98  
 seat height 46 cm



FL 7010  
 W 45 D 60 H 105  
 seat height 47 cm



TL 1238  
 W 47 D 49 H 87  
 seat height 46 cm



TL 1223  
 W45 D49 H92  
 seat height 47 cm

# INSPIRATION







SEE ALSO



## WATER BASED FINISHES



## SOLVENT BASED FINISHES



## WORKTOP FINISHES (beech and oak)



## KNOBS AND HANDLES



### Distress options



Water based paint is available per liter.



Please note that photographs do not always accurately reproduce the colours;

Colour samples of wood available on request;

Product dimensions are in CM measured from the widest outside points, and may vary slightly;

We reserve the right to change or improve designs and finishes without prior notice.



Kitchen  
catalogue

